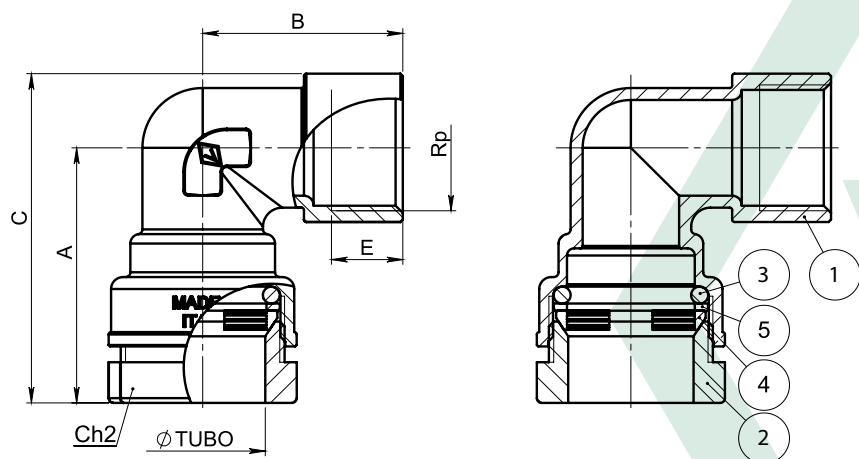


Scheda Tecnica *Technical sheet*

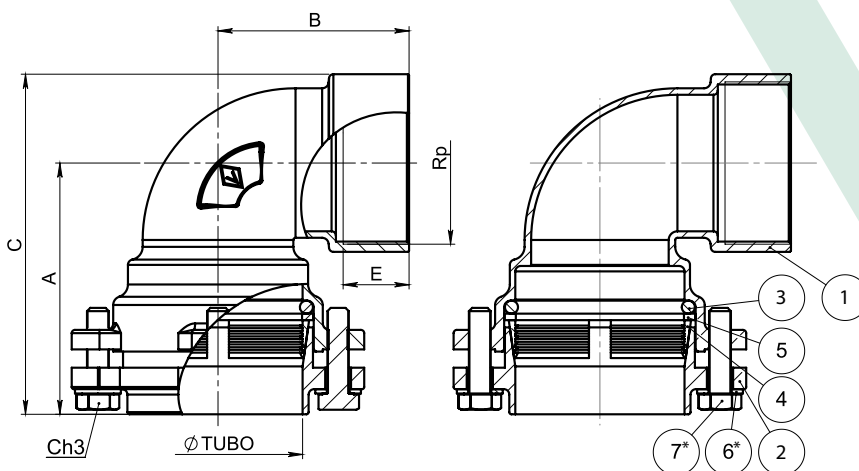
ART.3037	SPECIFICATION		APPLICATION	TECHNICAL NOTES
	Female elbow coupler. Size from $\varnothing 20 \times 1/2''$ to $\varnothing 90 \times 3''$.	Series	3037	Assembly in rigid pipe system
Thread ends		Pipe-Female: PE-UNI EN 10226 (ISO 7/1)	Nominal pressure (PN) in bar: 30	Conformity with DIN 8076 - EN 1254/3 - DVGW GW 335 UBA BWGL - UNI EN 681-1 and EN 682
Orifice		from $\varnothing 20$ to $\varnothing 90$ mm	KV: Flowrate coefficient m^3/h	
Technical additions		Direction of flow: as desired	2 YEARS warranty	
Flanged version: from $\varnothing 75$ to $\varnothing 11$		Temperature range: $-20^\circ C / +80^\circ C$		
(*) For $\varnothing 20$ nut material is: CW617N		Use: Water	Manufactured in brass alloy compliant with EN 12165-CW617N-DW	

Standard version




N°	Descrizione	Description	Materials	Q.ty
1	Corpo	Body	CW617N	1
2	Dado	Nut	CW602N (*)	1
3	O-ring	O-ring	01/B70 NBR	1
4	Ghiera	Compression ring	CW614N	1
5	Rondella	Brass ring	AISI 304	1
6*	Rondella	Brass ring	AISI 304	4
7*	Vite	Screw	AISI 304	4

Flanged version: from $\varnothing 75$ to $\varnothing 90$



Rp	\varnothing PIPE	A	B	C	E	Ch2	Ch3	PN
1/2"	20	46,5	35,5	59	15	34		30
3/4"	25	53	41,5	70	16,5	39		30
1"	32	62,5	48	81	19,1	48		30
1"1/4	40	80	56,5	103,5	21,5	58		30
1"1/2	50	86	63,5	113	21,5	69		30
2"	63	99	76	132	26	82		30
2"1/2	75	113	75	150	30,5		17	30
3"	90	130	85	181,5	24		17	30

N° Disegno / Drawing Nr	Misure / Size		UFFICIO TECNICO
3037	$\varnothing 20 \times 1/2'' - \varnothing 90 \times 3''$		