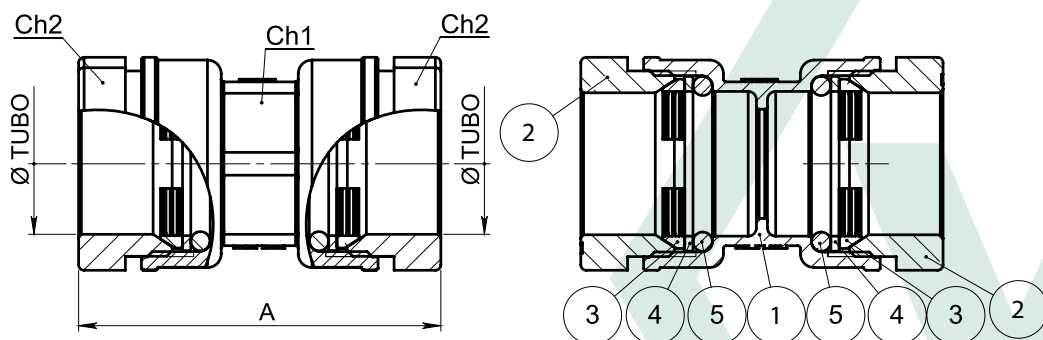


Scheda Tecnica *Technical sheet*

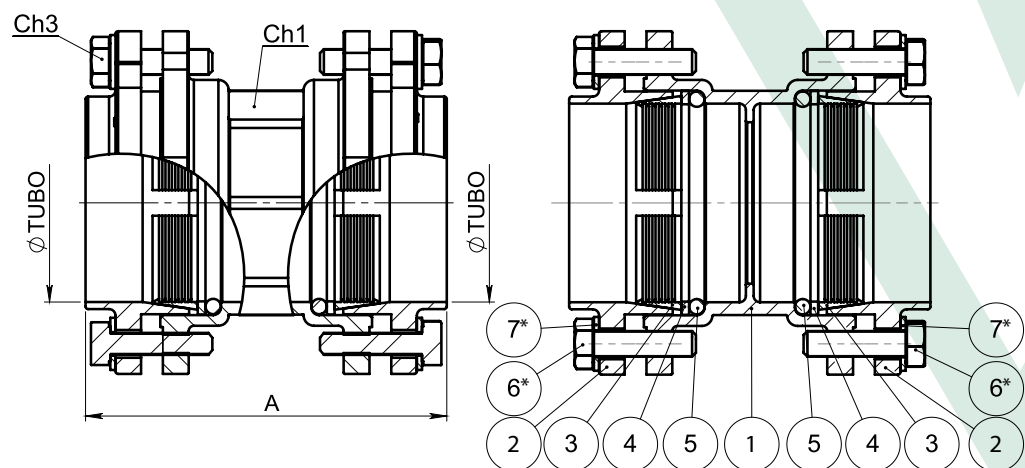
| | | | | |
|--|-------------------------------------|---------------------|--|--|
| ART.3015 | SPECIFICATION | | APPLICATION | TECHNICAL NOTES |
| | Series | 3015 | Assembly in rigid pipe system | Made in compliance with the management requirements of the EN ISO 9001 standard |
| Connecting coupler. Size. from Ø20 to Ø110. | Thread ends | Pipe-Pipe: PE | Nominal pressure (PN) in bar: 30 | Conformity with DIN 8076 - EN 1254/3 - DVGW GW 335 UBA BWGL - UNI EN 681-1 and EN 682 |
| | Orifice | from Ø20 to Ø110 mm | KV: Flowrate coefficient m ³ /h | |
| | Technical additions | | Direction of flow: as desired | 2 YEARS warranty |
| | Flanged version: from Ø75 to Ø110 | | Temperature range: -20°C / +80°C | |
| | (*) For Ø20 nut material is: CW617N | | Use: Water | Manufactured in brass alloy compliant with EN 12165-CW617N-DW |

Standard version



| N° | Descrizione | Description | Materials | Q.ty |
|----|-------------|------------------|------------|------|
| 1 | Corpo | Body | CW617N | 1 |
| 2 | Dado | Nut | CW602N (*) | 2 |
| 3 | Ghiera | Compression ring | CW614N | 2 |
| 4 | Rondella | Brass ring | CW614N | 2 |
| 5 | O-ring | O-ring | 01/B70 NBR | 2 |
| 6* | Rondella | Brass ring | AISI 304 | 8 |
| 7* | Vite | Screw | AISI 304 | 8 |

Flanged version: from Ø75 to Ø110



| Ø PIPE | A | Ch1 | Ch2 | Ch3 | PN |
|--------|-------|-----|-----|-----|----|
| 20 | 61 | 25 | 34 | | 30 |
| 25 | 66,5 | 30 | 39 | | 30 |
| 32 | 79 | 37 | 48 | | 30 |
| 40 | 105,5 | 45 | 58 | | 30 |
| 50 | 108,5 | 56 | 69 | | 30 |
| 63 | 119,5 | 69 | 82 | | 30 |
| 75 | 150 | 82 | | 17 | 30 |
| 90 | 170 | 98 | | 17 | 30 |
| 110 | 221 | 120 | | 17 | 30 |

| | | | |
|-------------------------|---------------|--|-----------------|
| N° Disegno / Drawing Nr | Misure / Size | | UFFICIO TECNICO |
| 3015 | Ø20 - Ø110 | | |