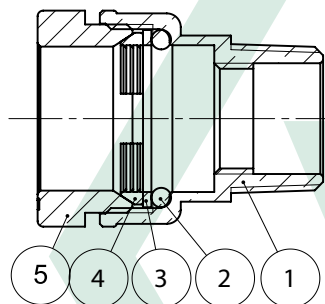
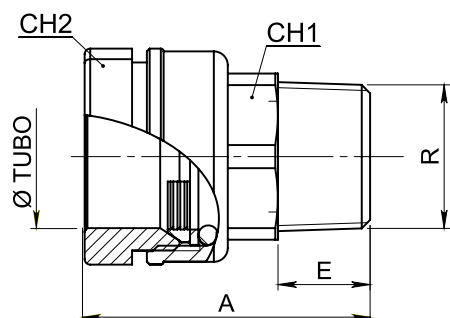


Scheda Tecnica *Technical sheet*

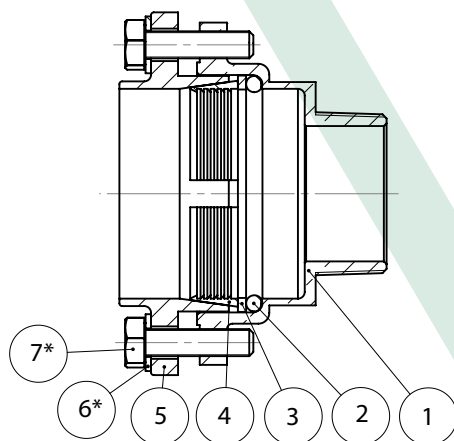
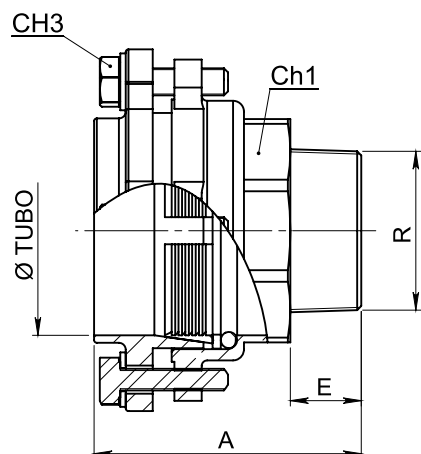
ART.3000	SPECIFICATION		APPLICATION	TECHNICAL NOTES
	Series	3000	Assembly in rigid pipe system	Made in compliance with the management requirements of the EN ISO 9001 standard
Straight male coupler. Size. from Ø20x1/2" to Ø110x4".	Thread ends	Pipe-Male UNI EN 10226 (ISO 7/1)	Nominal pressure (PN) in bar: 30	Conformity with DIN 8076 - EN 1254/3 - DVGW GW 335 UBA BWGL - UNI EN 681-1 and EN 682
	Orifice	from Ø20 to Ø110 mm	KV: Flowrate coefficient m ³ /h	
	Technical additions		Direction of flow: as desired	2 YEARS warranty
	Flanged version: from Ø75 to Ø110		Temperature range: -20°C / +80°C	
	(*) For Ø20 nut material is: CW617N		Use: Water	Manufactured in brass alloy compliant with EN 12165-CW617N-DW

Standard version




N°	Descrizione	Description	Materials	Q.ty
1	Corpo	Body	CW617N	1
2	O-ring	O-ring	01/B70 NBR	1
3	Rondella	Brass ring	CW614N	1
4	Ghiera	Compression ring	CW614N	1
5	Dado	Nut	CW602N (*)	1
6*	Rondella	Brass ring	AISI 304	4
7*	Vite	Screw	AISI 304	4

Flanged version: from Ø75 to Ø110



R	Ø PIPE	A	E	Ch1	Ch2	Ch3	PN
1/2"	20	47,5	15	25	34		30
1/2"	25	50,5	15	30	39		30
3/4"	25	52	16,5	30	39		30
3/4"	32	58	16,5	37	48		30
1"	25	54,5	19,1	35	39		30
1"	32	60,5	19,1	37	48		30
1"1/4"	32	63	21,5	44	48		30
1"1/4"	40	76	21,5	45	58		30
1"1/2"	50	78	21,5	56	69		30
2"	63	88	26	69	82		30
2"1/2"	75	105	30,5	82		17	30
3"	90	115	24	98		17	30
4"	110	147	29	120		17	30

N° Disegno / Drawing Nr	Misure / Size		UFFICIO TECNICO
3000	Ø20x1/2" - Ø110x4"		